

PROJECT:	_____
CATALOG #:	_____
FIXTURE TYPE:	_____
NOTES:	_____

## TG Design T-Grid Linear Light



The *TG T-Grid Linear Light* is an elegant LED module with T-Grid bracket that allows for ultimate flexibility. This versatile luminaire is compatible with any T-Grids. There are two sizes available in 2' and 4' with a width of 9/16" and 15/16" respectively. Capable of connecting up to 12 feet. Max distance from power supply to fixture is approximately 8 feet long. Longer distance is achievable if using higher gauge wire.

### APPLICATIONS

Airport, Educational, Executive, Health, Hospitality, Hotels, Medical, Retail, and any open spaces that require a unique and elegant architectural lighting design.

## SPECIFICATIONS

### HOUSING AND FINISHING

Anodized and painted aluminum extruded body, steel mounting clips with white PC end caps.

### AMBIENT TEMPERATURE

Suitable for use in 0°C - 40°C (32°F - 104°F)

### MOUNTING

Universal mounting brackets for easy installation to standard width 15/16" or 9/16" T-Bars for most ceiling suspension systems.

### EFFICACY

10W: 130lm/W  
20W: 130lm/W



## PERFORMANCE INFORMATION

SERIES NUMBER	WATT	LUMENS	CCT
TG 2 13 N G1 35K	10W	1,300	3500K
TG 2 13 N G1 40K	10W	1,300	4000K
TG 2 13 W G1 35K	10W	1,258	3500K
TG 2 13 W G1 40K	10W	1,300	4000K
TG 4 26 N G1 35K	20W	2,600	3500K
TG 4 26 N G1 40K	20W	2,600	4000K
TG 4 26 W G1 35K	20W	2,533	3500K
TG 4 26 W G1 40K	20W	2,600	4000K

### ELECTRIC

High output LEDs consume 10W (2 ft) or 20W (4 ft). Power supply consumption not included. Class 2 plenum rated cables at each end are equipped.

### CCT AND CRI

Available in 3500K and 4000K; 80 CRI

### OPTICS

Frosted acrylic lens.

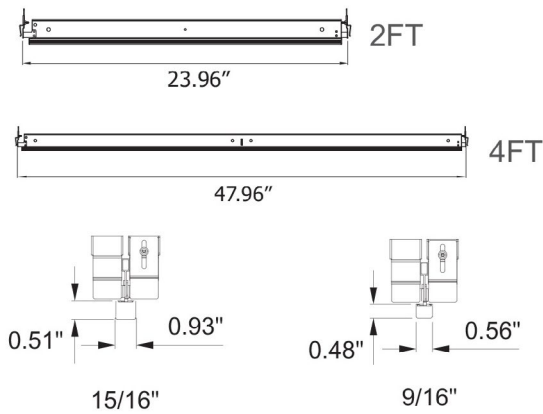
### WARRANTY

5-year limited warranty. Please visit [www.slgus.com](http://www.slgus.com) for complete warranty terms.

Due to continuous product improvements, specification and/or equipment updates may change without notice.

ORDERING GUIDE				EXAMPLE: TG 2 13 N G1 35K				
Luminaire Type	Fixture Length	Lumen Output	Fixture Width	Generation	Voltage	CCT	Finish	Options
<b>TG</b> T-Grid Linear Light	<b>2=</b> 2 ft	<b>13</b> 1,300 Lumens	<b>N=</b> 9/16 in	<b>G1</b>	<b>BLANK=</b> 120-277V	<b>35K</b> 3500K	<b>BLANK=</b> White	<b>BLANK=</b> No Option <b>TG 2 30W=</b> Driver (Up to 3 TG 2 ft Luminaires) <b>TG 4 60W=</b> Driver (Up to 3 TG 4 ft Luminaires)
	<b>4=</b> 4 ft	<b>26</b> 2,600 Lumens	<b>W=</b> 15/16 in					

## DIMENSIONS



Weight  
TG 2 FT: 1.4 LB  
TG 4 FT: 2.43 LB

## DRIVER

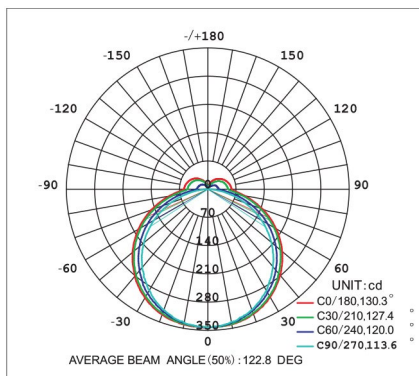


**T-Grid driver sold separately**  
Supports up to 3 luminaires

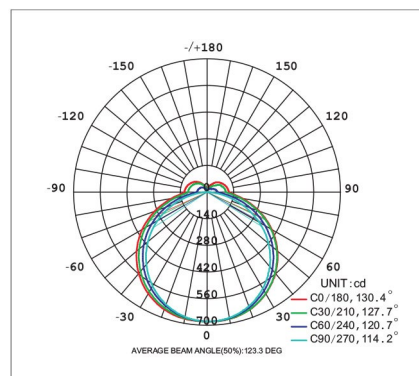
## PHOTOMETRIC

### Luminous Distribution Intensity Diagram

TG 2 13 N G1 4K



TG 4 26 W G1 4K



Due to continuous product improvements, specification and/or equipment updates may change without notice.

## ELECTRICAL LOAD

	<b>Current (A)</b>			
<b>WATT</b>	<b>120V</b>	<b>208V</b>	<b>240V</b>	<b>277V</b>
10W	0.08	0.05	0.04	0.04
20W	0.17	0.10	0.08	0.07

Due to continuous product improvements, specification and/or equipment updates may change without notice.