



Installation Instruction:

Chain Mounting

Figure 1

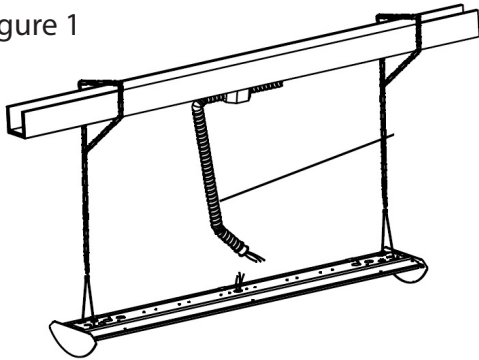


Figure 2

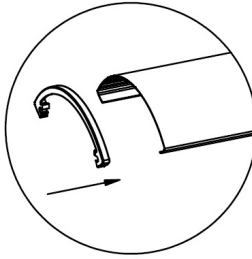


Figure 3

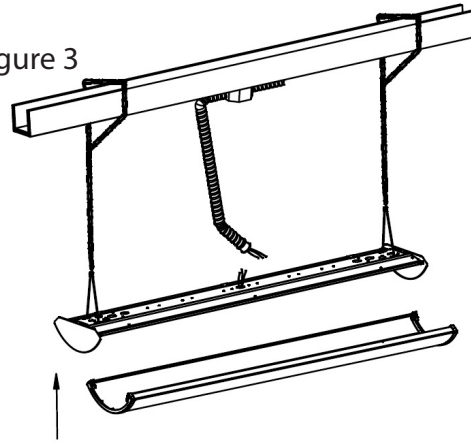
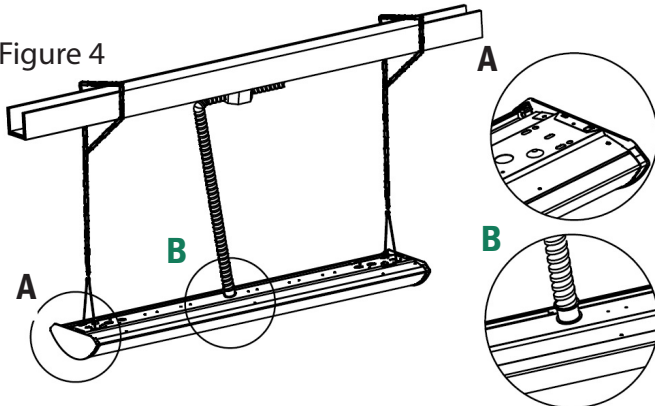


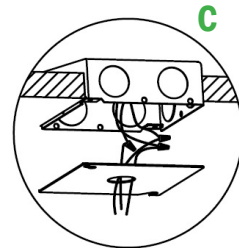
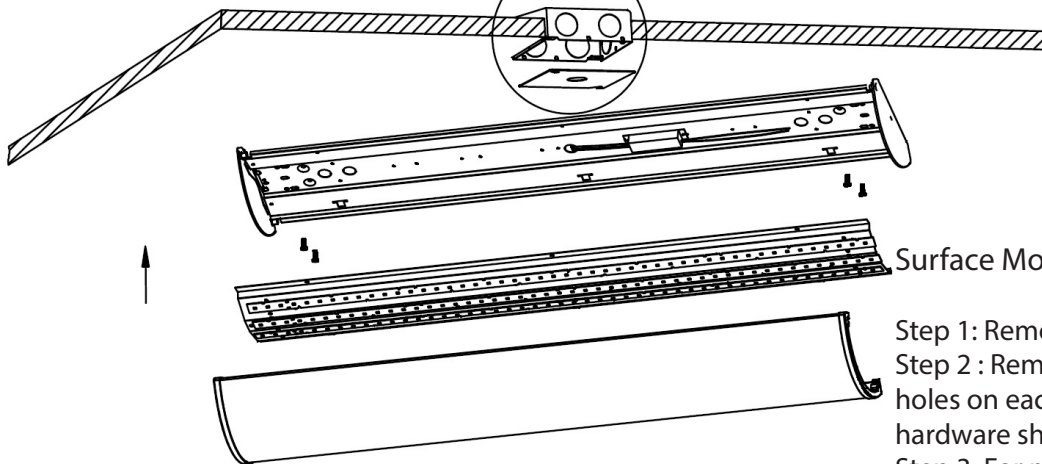
Figure 4



Chain Mounting Installation Guide:

- Step 1: Mount the V-hooks to the light fixture (Diagram in Figure 1)
- Step 2: Mount plastic trims to the lens (Diagram in Figure 2)
- Step 3: Install the lens by hanging from end plate pins of the light fixture and rotate it into position. Flex the lens to engage end plate pins on the opposite side of the light fixture. (Diagram in Figure 3 and 4)
- Step 4: Connect the wires to the AC power grounding leads, also make sure the wires are enclosed into the flexible metallic conduit.

Surface Mounting



Surface Mounting Installations Guide:

- Step 1: Remove product from packaging.
- Step 2: Remove the lens and Led module plate. holes on each end of the fixture housing. hardware should be used (supplied by others).
- Step 3: For mounting, using the provided mounting Mount per required application, Appropriate
- Step 4: Make electrical connections according to code.
- Step 5: Install Led module plate and lens.



Installation Warnings!

READ AND FOLLOW ALL SAFETY INSTRUCTIONS!
SAVE THESE INSTRUCTIONS AND DELIVER TO OWNER AFTER INSTALLATION

Warning Risk of Electric Shock:

- Disconnect or turn off power before installation or servicing.
- Verify that supply voltage is correct by comparing it with the luminaire label information.
- Make all electrical and grounded connections in accordance with the National Electrical Code (NEC) and any applicable local code requirements.
- All wiring connections should be capped with UL approved wire connectors.

Warning Risk of Burn:

- To reduce the risk of death, personal injury or property damage from fire, electric shock, falling parts, cuts/abrasions, and other hazards read all warnings and instructions included with and on the fixture box and all fixture labels.
- Allow lamp/fixture to cool before handling. Do not touch enclosure or light source.
- Do not exceed maximum wattage marked on luminaire label.
-

Warning Risk of Fire:

- Do not operate in close proximity to persons, combustible materials or substances affected by heat or drying.
- Keep combustible and other materials that can burn, away from lamp/lens.
-

Warning Risk of Injury:

- Wear gloves and safety glasses at all times when removing luminaire from carton, installing, servicing or performing maintenance.
- Before installing, servicing, or performing routine maintenance upon this equipment, follow these general precautions.
- Commercial installation, service and maintenance of luminaires should be performed by a qualified licensed electrician.
- For the installation: If you are unsure about the installation or maintenance of the luminaires, consult a qualified licensed electrician and check your local electrical code.
- •To prevent wiring damage or abrasion, do not expose wiring to edges of sheet metal or other sharp objects.
- •Do not make or alter any open holes in an enclosure of wiring or electrical components during kit installation.
- **DO NOT INSTALL DAMAGED PRODUCT!** This luminaire has been properly packed so that no parts should have been damaged during transit. Inspect to confirm. Any part damaged or broken during or after assembly should be replaced.
- Recycle: For information on how to recycle LED electronic products, please visit www.epa.gov.

Caution!

- Avoid direct eye exposure to the light source while it is on.
- Account for small parts and destroy packing material, as these may be hazardous to children.
- Risk of burn. Disconnect power and allow fixture to cool before changing handling fixture.
- NOTICE: Specifications and dimensions subject to change without notice.
- NOTICE: Suitable for Dry or Damp location.

